

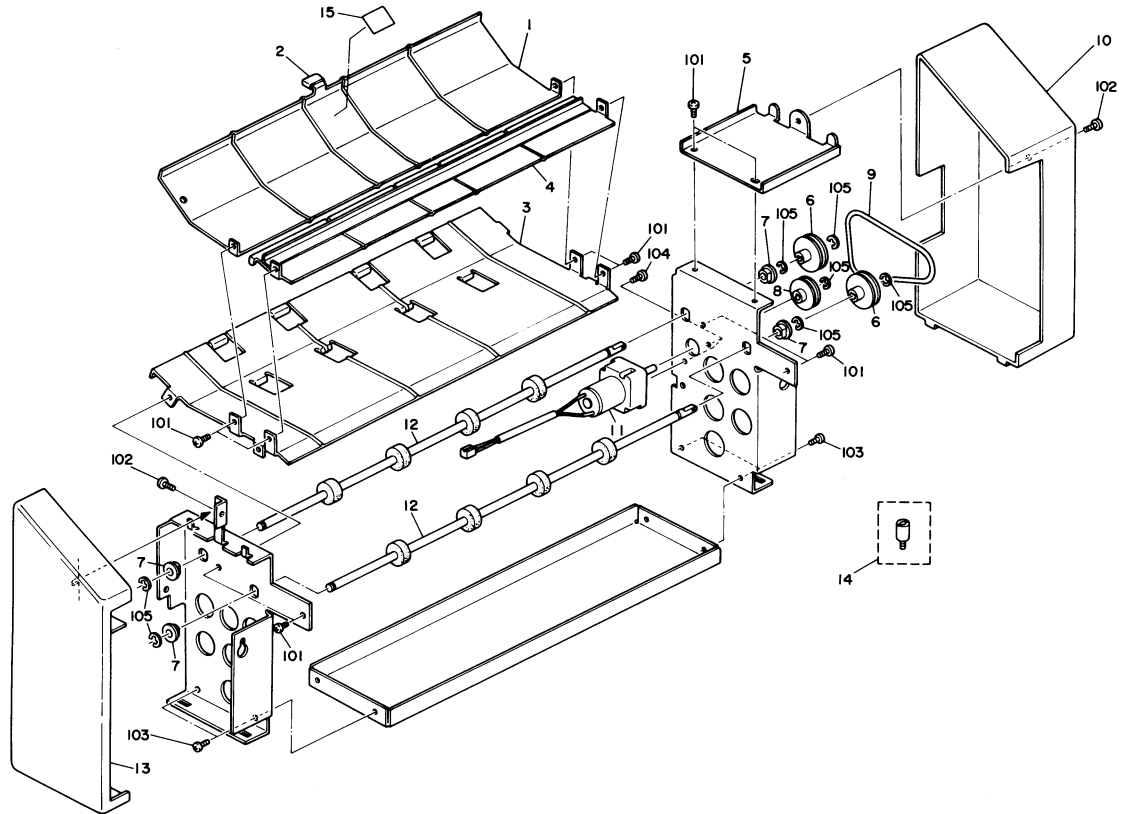
SORTER ADAPTER

(A910)

1. Sorter Adapter (A910)	2
Parts Index	5

1. SORTER ADAPTER (A910)

April 1, '87



PARTS INDEX

Parts No.	Description	Page and Index No.
A910 1611	Front Cover	3-13
A910 1621	Rear Cover	3-10
A910 6511	Decal - Duplex Exit	3-15

Parts No.	Description	Page and Index No.
A411 2531	Knob Cap	3 - 2

Parts No.	Description	Page and Index No.
5053 0447	Bushing - 6mm	3 - 7
6769 1127	Lower Mounting Stud	3 - 14
6803 4216	Pulley	3 - 8
6803 5410	Paper Exit Roller	3-11
6805 1211	Lower Guide Plate	3 - 3
6805 1221	Upper Guide Plate - Small	3 - 4
6805 1231	Upper Guide Plate - Large	3 - 1
6805 1241	Transport Roller	3-12
6805 1311	Pulley - 6 x 25 x 11 mm	3 - 6
6805 1321	O-ring - 3 x 225.8 mm	3 - 9
6805 1631	Rear Cover Bracket	3 - 5

Parts No.	Description	Page and Index No.
0314 0080W	Philips Pan Head Screw - M4 x 8	3-101
0344 0080D	Philips Truss Head Screw - M4 x 8	3-102
0434 0080W	Tapping Screw - M4 x 8	3-103
0720 0040E	Retaining Ring - M4	3-105
0965 3010W	Tapping Screw With Flat Washer - M3 x 10	3-104